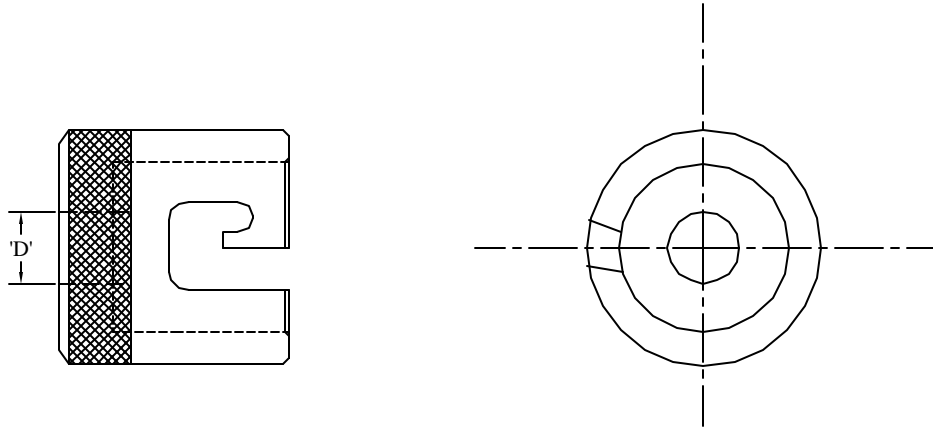


REV.	REASON FOR ISSUE	DATE	DRN.	CHKD.
0.00	PRELIM.REL.	21.07.01	D.K.D.	G.G.A
1.00	REL. FOR MANU.	12.09.01	D.K.D.	G.G.A

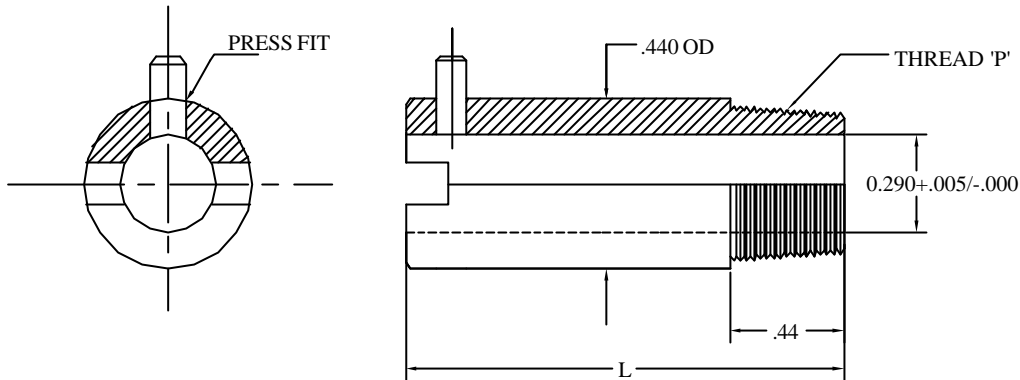


PART NO.	TUBE SIZE 'D'	MATERIAL
ABAF - BRZ - 001	FOR 3/16" ID ARMOUR	BRASS ZINC PLATED
ABAF - BRZ - 002	1/8" PROBE	BRASS ZINC PLATED
ABAF - BRZ - 003	3/16" PROBE	BRASS ZINC PLATED
ABAF - 304 - 001	FOR 3/16" ID ARMOUR	304 SS
ABAF - 304 - 002	1/8" PROBE	304 SS
ABAF - 304 - 003	3/16" PROBE	304 SS

ALL DIMENSIONS ARE IN INCHES.

PROJECT/CLIENT	<p style="text-align: center;">Aura Inc. D11/3,OKHALA IND. AREA, PHASE II, NEW DELHI INDIA. www.aurainc.com</p>
TITLE	
<p style="text-align: center;">BAYONET LOCK CAPS</p>	
<p>This drawing is the property of Aura Inc. Unauthorised reproduction is prohibited.</p>	
<p style="text-align: right;">DRG NO : ABLC-STD-001</p>	

REV.	REASON FOR ISSUE	DATE	DRN.	CHKD.
0.00	PRELIM.REL.	12.03.00	D.K.D.	G.G.A
1.00	REL. FOR MANU.	18.08.00	D.K.D.	G.G.A



PART NO.	'L'	THREAD	MATERIAL
ABYA - CSZ - 078 -2	7/8"	1/8" NPT	CS ZINC PL.
ABYA - 304 - 078 -2	7/8"	1/8" NPT	304 SS
ABYA - CSZ - 100 -2	1.0"	1/8" NPT	CS ZINC PL.
ABYA -304 - 100 -2	1.0"	1/8" NPT	304 SS
ABYA - CSZ - 125 -2	1-1/4"	1/8" NPT	CS ZINC PL.
ABYA -304 - 125 -2	1-1/4"	1/8" NPT	304 SS
ABYA - CSZ - 138 - 2	1-3/8"	1/8" NPT	CS ZINC PL.
ABYA - 304 - 138 - 2	1-3/8"	1/8" NPT	304 SS
ABYA - CSZ -150- 2	1-1/2"	1/8" NPT	CS ZINC PL.
ABYA - 304 -150- 2	1-1/2"	1/8" NPT	304 SS
ABYA - CSZ -200- 2	2.0"	1/8" NPT	CS ZINC PL.
ABYA - 304 -200- 2	2.0"	1/8" NPT	304 SS
ABYA - CSZ -250- 2	2-1/2"	1/8" NPT	CS ZINC PL.
ABYA -304 -250- 2	2-1/2"	1/8" NPT	304 SS
ABYA - CSZ -300-2	3.0"	1/8" NPT	CS ZINC PL.
ABYA - 304-300-2	3.0"	1/8" NPT	304 SS
ABYA - CSZ -350-2	3-1/2"	1/8" NPT	CS ZINC PL.
ABYA - 304-350-2	3-1/2"	1/8" NPT	304 SS
ABYA - CSZ - 400 -2	4.0"	1/8" NPT	CS ZINC PL.
ABYA - 304-400-2	4.0"	1/8" NPT	304 SS

PART NO.	'L'	THREAD	MATERIAL
ABYA - CSZ - 078 - 3	7/8"	3/8-24 UNF	CS ZINC PL.
ABYA - 304 - 078 -3	7/8"	3/8-24 UNF	304 SS
ABYA - CSZ - 100 -3	1.0"	3/8-24 UNF	CS ZINC PL.
ABYA -304 - 100 - 3	1.0"	3/8-24 UNF	304 SS
ABYA - CSZ - 125 - 3	1-1/4"	3/8-24 UNF	CS ZINC PL.
ABYA -304 - 125 -3	1-1/4"	3/8-24 UNF	304 SS
ABYA - CSZ - 138 - 3	1-3/8"	3/8-24 UNF	CS ZINC PL.
ABYA - 304 - 138 - 3	1-3/8"	3/8-24 UNF	304 SS
ABYA - CSZ -150- 3	1-1/2"	3/8-24 UNF	CS ZINC PL.
ABYA - 304 -150- 3	1-1/2"	3/8-24 UNF	304 SS
ABYA - CSZ -200- 3	2.0"	3/8-24 UNF	CS ZINC PL.
ABYA - 304 -200- 3	2.0"	3/8-24 UNF	304 SS
ABYA - CSZ -250- 3	2-1/2"	3/8-24 UNF	CS ZINC PL.
ABYA -304 -250- 3	2-1/2"	3/8-24 UNF	304 SS
ABYA - CSZ -300-3	3.0"	3/8-24 UNF	CS ZINC PL.
ABYA - 304-300-3	3.0"	3/8-24 UNF	304 SS
ABYA - CSZ -350-3	3-1/2"	3/8-24 UNF	CS ZINC PL.
ABYA - 304-350-3	3-1/2"	3/8-24 UNF	304 SS
ABYA - CSZ - 400 -3	4.0"	3/8-24 UNF	CS ZINC PL.
ABYA - 304-400-3	4.0"	3/8-24 UNF	304 SS

ALL DIMENSIONS ARE IN INCHES.

PROJECT/CLIENT
TITLE
BAYONET ADAPTORS

Aura Inc.
D11/3,OKHALA IND. AREA,
PHASE II, NEW DELHI
INDIA.
www.aurainc.com

This drawing is the property of Aura Inc.
Unauthorised reproduction is prohibited.

DRG NO :ABYA-STD-001