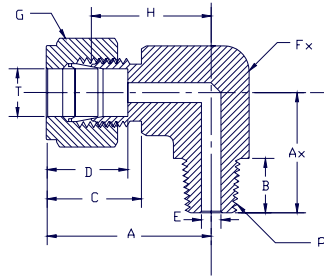


• INCH SIZE TUBING

AURA PART NO.	'T' TUBE OD	'P' NPT	A	B	C	D	E	F	G	H
2AMC2	1/8"	1/8"	1.19	0.38	0.60	0.50	0.09	7/16	7/16	0.93
2AMC4	1/8"	1/4"	1.39	0.56	0.60	0.50	0.09	9/16	7/16	1.13
4AMC2	1/4"	1/8"	1.28	0.38	0.70	0.60	0.19	1/2	9/16	0.99
4AMC4	1/4"	1/4"	1.48	0.56	0.70	0.60	0.19	9/16	9/16	1.19
4AMC6	1/4"	3/8"	1.50	0.56	0.70	0.60	0.19	11/16	9/16	1.21
4AMC8	1/4"	1/2"	1.75	0.75	0.70	0.60	0.19	7/8	9/16	1.46
5AMC4	5/16"	1/4"	1.51	0.56	0.73	0.64	0.25	9/16	5/8	1.22
6AMC2	3/8"	1/8"	1.38	0.38	0.76	0.66	0.19	5/8	11/16	1.09
6AMC4	3/8"	1/4"	1.56	0.56	0.76	0.66	0.28	5/8	11/16	1.27
6AMC6	3/8"	3/8"	1.56	0.56	0.76	0.66	0.28	11/16	11/16	1.27
6AMC8	3/8"	1/2"	1.81	0.75	0.76	0.66	0.28	7/8	11/16	1.52
8AMC4	1/2"	1/4"	1.70	0.56	0.86	0.901	0.28	13/16	7/8	1.30
8AMC6	1/2"	3/8"	1.70	0.56	0.86	0.90	0.38	13/16	7/8	1.30
8AMC8	1/2"	1/2"	1.92	0.75	0.86	0.90	0.41	7/8	7/8	1.52
8AMC12	1/2"	3/4"	1.98	0.75	0.86	0.90	0.41	1-1/16	7/8	1.58
10AMC6	5/8"	3/8"	1.73	0.56	0.86	0.96	0.38	15/16	1	1.33
10AMC8	5/8"	1/2"	1.92	0.75	0.86	0.96	0.47	15/16	1	1.52
12AMC8	3/4"	1/2"	1.98	0.75	0.86	0.96	0.47	1-1/16	1-1/8	1.58
12AMC12	3/4"	3/4"	1.98	0.75	0.86	0.96	0.62	1-1/16	1-1/8	1.58
12AMC16	3/4"	1"	2.24	0.94	0.86	0.96	0.62	1-3/8	1-1/8	1.84
14AMC12	7/8"	3/4"	1.98	0.75	0.86	1.02	0.62	1-3/16	1-1/4	1.58
16AMC12	1"	3/4"	2.25	0.75	1.04	1.23	0.62	1-3/8	1-1/2	1.77
16AMC16	1"	1"	2.44	0.94	1.04	1.23	0.88	1-3/8	1-1/2	1.96

• METRIC SIZE TUBING

AURA PART NO.	'T' TUBE OD	'P' NPT	A	B	C	D	E	F	G	H
			~		~	~		A/F	A/F	
3m AMC2	3	1/8"	30.3	09.5	9.7	15.3	12.9	12	12	23.7
3m AMC4	3	1/4"	35.4	14.2	15.3	12.9	2.4	14	12	28.8
6m AMC2	6	1/8"	32.6	9.7	17.7	15.3	4.6	14	14	25.2
6m AMC4	6	1/4"	37.7	14.2	17.7	15.3	4.8	14	14	30.3
6m AMC6	6	3/8"	38.2	14.2	17.7	15.3	4.8	18	14	30.8
6m AMC8	6	1/2"	44.5	19.0	17.7	15.3	4.8	22	14	37.1
8m AMC4	8	1/4"	34.0	9.7	18.6	16.2	4.8	15	16	36.5
8m AMC6	8	3/8"	38.5	14.2	18.6	16.2	6.4	15	16	31.1
8m AMC8	8	1/2"	45.4	19.0	18.6	16.2	6.4	22	16	37.9
10m AMC4	10	1/4"	40.7	14.2	19.5	17.2	7.9	18	19	33.1
10m AMC6	10	3/8"	40.7	14.2	19.5	17.2	7.9	18	19	33.1
10m AMC8	10	1/2"	46.3	19.0	19.5	17.2	7.9	22	19	38.7
12m AMC4	12	1/4"	43.2	14.2	22.0	22.8	7.1	22	22	33.1
12m AMC6	12	3/8"	43.2	14.2	22.0	22.8	9.5	22	22	33.1
12m AMC8	12	1/2"	48.8	19.0	22.0	22.8	9.5	22	22	38.7
16m AMC6	16	3/8"	43.9	14.2	22.0	24.4	9.5	24	25	33.8
16m AMC8	16	1/2"	48.8	19.0	22.0	24.4	11.9	24	25	38.7
16m AMC12	16	3/4"	50.3	19.0	22.0	24.4	12.7	27	25	40.2
20m AMC12	20	3/4"	52.1	19.0	22.0	26.0	15.9	30	32	42.0
20m AMC16	20	1"	56.9	23.9	22.0	26.0	18.3	35	32	46.8
25m AMC12	25	3/4"	57.3	19.0	26.5	31.3	15.9	35	38	45.0
25m AMC16	25	1"	62.1	23.9	26.5	31.3	21.8	35	38	49.8

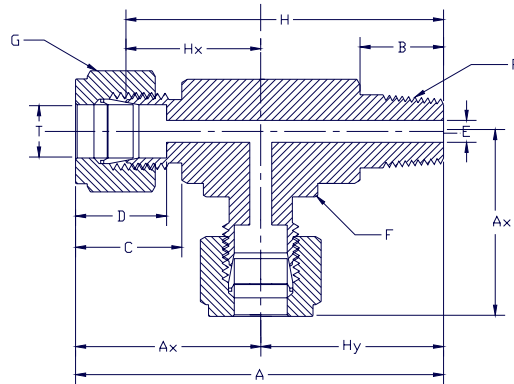


• INCH SIZE TUBING

AURA PART NO.	'T' TUBE OD	'P' NPT	A ~	B	C	D ~	E	Fx A/F	G A/F	H
2AME2	1/8"	1/8"	0.92	0.38	0.60	0.50	0.09	7/16	7/16	0.66
2AME4	1/8"	1/4"	0.96	0.56	0.60	0.50	0.09	1/2	7/16	0.70
4AME2	1/4"	1/8"	1.05	0.38	0.70	0.60	0.19	1/2	9/16	0.76
4AME4	1/4"	1/4"	1.05	0.56	0.70	0.60	0.19	1/2	9/16	0.76
4AME6	1/4"	3/8"	1.16	0.56	0.70	0.60	0.19	11/16	9/16	0.87
4AME8	1/4"	1/2"	1.24	0.75	0.70	0.60	0.19	13/16	9/16	0.95
5AME4	5/16"	1/4"	1.12	0.56	0.73	0.64	0.25	9/16	5/8	0.84
6AME4	3/8"	1/4"	1.19	0.56	0.76	0.66	0.28	5/8	11/16	0.90
6AME6	3/8"	3/8"	1.22	0.56	0.76	0.66	0.28	11/16	11/16	0.93
6AME8	3/8"	1/2"	1.30	0.75	0.76	0.66	0.28	13/16	11/16	1.01
8AME4	1/2"	1/4"	1.41	0.56	0.86	0.90	0.28	13/16	7/8	1.01
8AME6	1/2"	3/8"	1.41	0.56	0.86	0.90	0.38	13/16	7/8	1.01
8AME8	1/2"	1/2"	1.41	0.75	0.86	0.90	0.41	13/16	7/8	1.01
10AME8	5/8"	1/2"	1.49	0.75	0.86	0.96	0.47	15/16	1	1.09
12AME8	3/4"	1/2"	1.56	0.75	0.86	0.96	0.47	1-1/16	1-1/8	1.16
12AME12	3/4"	3/4"	1.56	0.75	0.86	0.96	0.62	1-1/16	1-1/8	1.16
14AME12	7/8"	3/4"	1.75	0.75	0.86	1.02	0.62	1-3/8	1-1/4	1.35
16AME12	1"	3/4"	1.92	0.75	1.04	1.23	0.62	1-3/8	1-1/2	1.44
16AME16	1"	1"	1.92	0.75	1.04	1.23	0.88	1-3/8	1-1/2	1.44

• METRIC SIZE TUBING

AURA PART NO.	'T' TUBE OD	'P' NPT	A ~	B	C	D ~	E	Fx A/F	G A/F	H
3m AME2	3	1/8"	23.4	9.7	15.3	12.9	2.4	7/16	12	16.8
3m AME4	3	1/4"	24.4	14.2	15.3	12.9	2.4	1/2	12	17.8
6m AME2	6	1/8"	26.8	9.7	17.7	15.3	4.8	1/2	14	19.4
6m AME4	6	1/4"	26.8	14.2	17.7	15.3	4.8	1/2	14	19.4
6m AME6	6	3/8"	29.6	14.2	17.7	15.3	4.8	11/16	14	22.2
6m AME8	6	1/2"	31.6	19.0	17.7	15.3	4.8	13/16	14	24.2
8m AME2	8	1/8"	28.6	9.7	18.6	16.2	4.8	9/16	16	21.1
8m AME4	8	1/4"	28.6	14.2	18.6	16.2	6.4	9/16	16	21.1
8m AME6	8	3/8"	30.4	14.2	18.6	16.2	6.4	11/16	16	22.9
8m AME8	8	1/2"	32.4	19.0	18.6	16.2	6.4	13/16	16	24.9
10m AME4	10	1/4"	31.3	14.2	19.5	17.2	7.1	11/16	19	23.7
10m AME6	10	3/8"	31.3	14.2	19.5	17.2	7.9	11/16	19	23.7
10m AME8	10	1/2"	33.3	19.0	19.5	17.2	7.9	13/16	19	25.7
12m AME6	12	3/8"	35.8	14.2	22.0	22.8	9.5	13/16	22	25.7
12m AME8	12	1/2"	35.8	19.0	22.0	22.8	9.5	13/16	22	25.7
16m AME8	16	1/2"	37.8	19.0	22.0	24.4	11.9	15/16	25	27.7
20m AME12	20	3/4"	44.4	19.0	22.0	26.0	15.9	1-3/8	32	34.3
25m AME12	25	3/4"	29.9	19.0	26.5	31.3	15.9	1-3/8	38	36.8
25m AME16	25	1"	39.9	23.9	26.5	31.3	21.8	1-3/8	38	36.8

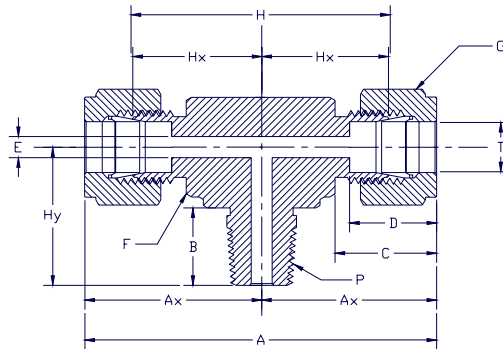


• INCH SIZE TUBING

AURA PART NO.	'T' TUBE OD	'P' NPT	A ~	Ax	B	C	D	E	Fx A/F	G A/F	H	Hx	Hy
2AMRT2	1/8"	1/8"	1.61	0.93	0.38	0.60	0.50	0.09	7/16	7/16	1.35	0.66	0.92
2AMRT4	1/8"	1/4"	1.87	0.97	0.56	0.60	0.50	0.09	1/2	7/16	1.61	0.70	0.96
4AMRT2	1/4"	1/8"	1.98	1.06	0.38	0.70	0.60	0.19	1/2	9/16	1.48	0.76	1.05
4AMRT4	1/4"	1/4"	1.96	1.06	0.56	0.70	0.60	0.19	1/2	9/16	1.67	0.76	1.05
6AMRT4	3/8"	1/4"	2.18	1.20	0.56	0.76	0.66	0.28	5/8	11/16	1.89	0.90	1.19
6AMRT6	3/8"	3/8"	2.40	1.31	0.56	0.76	0.66	0.28	13/16	11/16	2.11	1.01	1.30
8AMRT6	1/2"	3/8"	2.51	1.42	0.56	0.86	0.90	0.38	13/16	7/8	2.11	1.01	1.41
8AMRT8	1/2"	1/2"	2.70	1.42	0.75	0.86	0.90	0.41	13/16	7/8	2.30	1.01	1.41
10AMRT8	5/8"	1/2"	2.86	1.50	0.75	0.86	0.96	0.47	15/16	1	2.46	1.00	1.49
12AMRT12	3/4"	3/4"	3.00	1.57	0.75	0.86	0.96	0.62	1-1/16	1-1/8	2.60	1.16	1.56

• METRIC SIZE TUBING

AURA PART NO.	'T' TUBE OD	'P' NPT	A ~	Ax	B	C	D	E	Fx A/F	G A/F	H	Hx	Hy
6m AMRT2	6	1/8"	44.6	26.8	9.7	17.7	15.3	4.8	1/2	14	37.2	19.4	17.8
6m AMRT4	6	1/4"	50.0	26.8	14.2	17.7	15.3	4.8	1/2	14	42.6	19.4	23.2
8m AMRT4	8	1/4"	54.9	29.7	14.2	18.6	16.2	6.4	5/8	16	47.4	22.2	25.2
12m AMRT4	12	1/4"	63.8	35.8	14.2	22.0	22.8	7.1	13/16	22	53.7	25.7	28.0
12m AMRT8	12	1/2"	68.6	35.8	19.0	22.0	22.8	9.5	13/16	22	58.5	25.7	32.8
16m AMRT8	16	1/2"	72.6	37.8	19.0	22.0	24.4	11.9	15/16	25	62.5	27.7	34.8

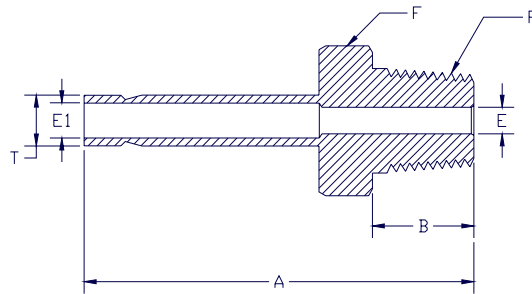


- INCH SIZE TUBING

AURA PART NO.	'T' TUBE OD	'P' NPT	A	Ax	B	C	D	E	Fx	G	H	Hx	Hy
			~						A/F	A/F			
2AMBT2	1/8"	1/8"	1.84	1.84	0.38	0.60	0.50	0.09	7/16	7/16	1.32	0.66	0.69
2AMBT4	1/8"	1/4"	1.92	1.92	0.56	0.60	0.50	0.09	1/2	7/16	1.40	0.70	0.91
4AMBT2	1/4"	1/8"	2.10	2.10	0.38	0.70	0.60	0.19	1/2	9/16	1.52	0.76	0.73
4AMBT4	1/4"	1/4"	2.10	2.10	0.56	0.70	0.60	0.19	1/2	9/16	1.52	0.76	0.91
6AMBT4	3/8"	1/4"	2.38	2.38	0.56	0.76	0.66	0.28	5/8	11/16	1.80	0.90	0.99
6AMBT6	3/8"	3/8"	2.60	2.60	0.56	0.76	0.66	0.28	13/16	11/16	2.02	1.01	1.10
8AMBT6	1/2"	3/8"	2.82	2.82	0.56	0.86	0.90	0.38	13/16	7/8	2.02	1.01	1.10
8AMBT8	1/2"	1/2"	2.82	2.82	0.75	0.86	0.90	0.41	13/16	7/8	2.02	1.01	1.29
10AMBT8	5/8"	1/2"	3.04	3.04	0.75	0.86	0.96	0.47	1	1	2.24	1.12	1.40
12AMBT12	3/4"	3/4"	3.12	3.12	0.75	0.86	0.96	0.62	1-1/16	1-1/8	2.32	1.16	1.44

- METRIC SIZE TUBING

AURA PART NO.	'T' TUBE OD	'P' NPT	A	Ax	B	C	D	E	Fx	G	H	Hx	Hy
			~						A/F	A/F			
6m AMBT2	6	1/8"	53.6	26.8	9.7	17.7	15.3	4.8	1/2	16	38.8	19.4	20.8
8m AMBT2	8	1/8"	59.4	29.7	9.7	18.6	16.2	4.8	5/8	16	44.4	22.2	20.8
10m AMBT4	10	1/4"	66.6	33.3	14.2	19.5	17.2	7.1	13/16	19	51.4	25.7	28.2
16m AMBT8	16	1/2"	77.2	38.6	19.0	22.0	24.4	11.9	1	25	57.0	28.5	35.8

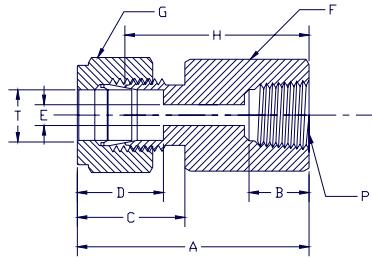


• INCH SIZE TUBING

AURA PART NO.	'T' TUBE OD	'P' NPT MALE	A	B	E	E1	F Hex A/F
2AMA2	1/8"	1/8"	1.15	0.38	0.19	0.09	7/16
2AMA4	1/8"	1/4"	1.36	0.56	0.28	0.09	9/16
4AMA2	1/4"	1/8"	1.24	0.38	0.19	0.19	7/16
4AMA4	1/4"	1/4"	1.45	0.56	0.19	0.19	9/16
4AMA6	1/4"	3/8"	1.48	0.56	0.19	0.19	11/16
4AMA8	1/4"	1/2"	1.70	0.75	0.19	0.19	7/8
5AMA2	5/16"	1/8"	1.28	0.38	0.19	0.25	7/16
5AMA4	5/16"	1/4"	1.49	0.56	0.25	0.25	9/16
6AMA4	3/8"	1/4"	1.52	0.56	0.28	0.28	9/16
6AMA6	3/8"	3/8"	1.55	0.56	0.28	0.28	11/16
6AMA8	3/8"	1/2"	1.77	0.75	0.28	0.28	7/8
8AMA6	1/2"	3/8"	1.77	0.56	0.39	0.39	11/16
8AMA8	1/2"	1/2"	1.99	0.75	0.39	0.39	7/8
10AMA8	5/8"	1/2"	2.05	0.75	0.47	0.50	7/8
12AMA8	3/4"	1/2"	2.05	0.75	0.47	0.59	7/8
12AMA12	3/4"	3/4"	2.05	0.75	0.59	0.59	1-11/16

METRIC SIZE TUBING

AURA PART NO.	'T' TUBE OD	'P' NPT MALE	A	B	E	E1	F Hex A/F
6m AMA2	6	1/8"	32.7	9.7	4.6	4.6	12
6m AMA4	6	1/4"	38.1	14.2	4.6	4.6	14
8m AMA4	8	1/4"	39.1	14.2	6.4	4.6	14
10m AMA4	10	1/4"	39.9	14.2	7.1	7.7	14
10m AMA6	10	3/8"	40.6	14.2	7.7	7.7	18
10m AMA8	10	1/2"	46.2	19.2	7.7	7.7	22

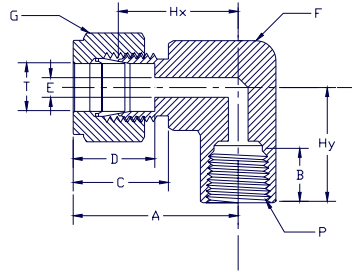


INCH SIZE TUBING

AURA PART NO.	'T' TUBE OD	'P' NPT	A ~	B	C ~	D ~	E	F A/F	G A/F	H
2AFC2	1/8"	1/8"	1.12	0.40	0.60	0.50	0.09	9/16	7/16	0.86
2AFC4	1/8"	1/4"	1.31	0.59	0.60	0.50	0.09	3/4	7/16	1.05
4AFC2	1/4"	1/8"	1.22	0.39	0.70	0.60	0.19	9/16	9/16	0.93
4AFC4	1/4"	1/4"	1.4	0.59	0.70	0.60	0.19	3/4	9/16	1.11
4AFC6	1/4"	3/8"	1.47	0.59	0.70	0.60	0.19	7/8	9/16	1.18
4AFC8	1/4"	1/2"	1.66	0.78	0.70	0.60	0.19	1-1/16	9/16	1.37
5AFC4	5/16"	1/4"	1.44	0.59	0.73	0.64	0.25	3/4	5/8	1.15
6AFC4	3/8"	1/4"	1.47	0.59	0.76	0.66	0.28	3/4	11/16	1.18
6AFC6	3/8"	3/8"	1.53	0.59	0.76	0.66	0.28	7/8	11/16	1.24
6AFC8	3/8"	1/2"	1.72	0.78	0.76	0.66	0.28	1-1/16	11/16	1.48
8AFC4	1/2"	1/4"	1.58	0.59	0.86	0.90	0.41	13/16	7/8	1.18
8AFC6	1/2"	3/8"	1.64	0.59	0.86	0.90	0.41	7/8	7/8	1.24
8AFC8	1/2"	1/2"	1.83	0.78	0.86	0.90	0.41	1-1/16	7/8	1.43
12AFC8	3/4"	1/2"	1.83	0.78	0.86	0.96	0.62	1-1/16	1-1/8	1.43
12AFC12	3/4"	3/4"	1.91	0.81	0.86	0.96	0.62	1-5/16	1-1/8	1.49
14AFC12	7/8"	3/4"	1.95	0.81	0.86	1.02	0.72	1-5/16	1-1/4	1.55
16AFC12	1"	3/4"	2.09	0.81	1.04	1.23	0.88	1-3/8	1-1/2	1.61
16AFC16	1"	1"	2.44	1.00	1.04	1.23	0.88	1-5/8	1-1/2	1.96

METRIC SIZE TUBING

AURA PART NO.	'T' TUBE OD	'P' NPT	A ~	B	C ~	D ~	E	F A/F	G A/F	H
3m AFC2	3	1/8"	28.5	10.4	15.3	12.9	2.4	14	12	21.9
3m AFC4	3	1/4"	33.3	15.0	15.3	12.9	2.4	19	12	26.7
6m AFC2	6	1/8"	31.1	10.4	17.7	15.3	4.8	14	14	23.7
6m AFC4	6	1/4"	35.6	15.0	17.7	15.3	4.8	19	14	28.2
6m AFC6	6	3/8"	37.4	15.0	17.7	15.3	4.8	22	14	30.0
6m AFC8	6	1/2"	42.3	19.8	17.7	15.3	4.8	27	14	34.9
8m AFC4	8	1/4"	36.8	15.0	18.6	16.2	6.4	19	16	29.3
8m AFC6	8	3/8"	38.3	15.0	18.6	16.2	6.4	22	16	30.8
8m AFC8	8	1/2"	43.1	19.8	18.6	16.2	6.4	27	16	35.6
10m AFC4	10	1/4"	37.6	15.0	19.5	17.2	7.9	19	19	30.0
10m AFC6	10	3/8"	39.2	15.0	19.5	17.2	7.9	22	19	31.6
10m AFC8	10	1/2"	44.0	19.8	19.5	17.2	7.9	27	19	36.4
12m AFC4	12	1/4"	40.1	15.0	22.0	22.8	9.5	22	22	30.0
12m AFC6	12	3/8"	41.7	15.0	22.0	22.8	9.5	22	22	31.6
12m AFC8	12	1/2"	46.5	19.8	22.0	22.8	9.5	27	22	36.4
16m AFC8	16	1/2"	46.7	19.8	22.0	24.4	12.7	27	25	36.6
20m AFC12	20	3/4"	49.5	20.6	22.0	26.0	15.9	35	32	39.4
25m AFC12	25	3/4"	53.2	20.6	26.5	31.3	21.8	35	38	39.9
25m AFC16	25	1"	62.1	25.4	26.5	31.3	21.8	41	38	49.8

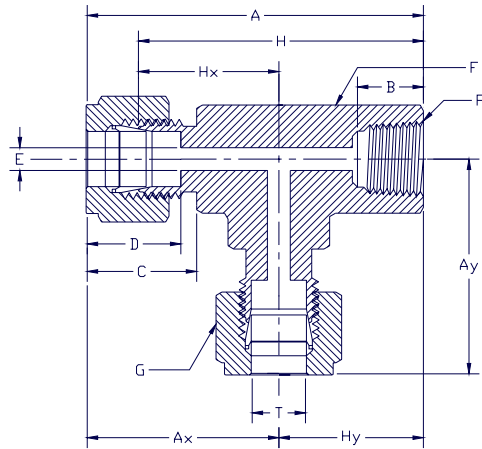


• INCH SIZE TUBING

AURA PART NO.	'T' TUBE OD	'P' NPT	A ~	B	C	D ~	E	Fx A/F	G A/F	Hx	Hy
2AFE2	1/8"	1/8"	0.96	0.41	0.60	0.50	0.09	1/2	7/16	0.71	0.74
2AFE4	1/8"	1/4"	1.07	0.59	0.60	0.50	0.09	11/16	7/16	0.81	0.87
4AFE2	1/4"	1/8"	1.05	0.41	0.70	0.60	0.19	1/2	9/16	0.76	0.74
4AFE4	1/4"	1/4"	1.16	0.59	0.70	0.60	0.19	11/16	9/16	0.87	0.87
4AFE6	1/4"	3/8"	1.24	0.59	0.70	0.60	0.19	13/16	9/16	0.95	0.87
4AFE8	1/4"	1/2"	1.35	0.78	0.70	0.60	0.19	1	9/16	1.06	1.11
5AFE4	5/16"	1/4"	1.19	0.59	0.73	0.64	0.25	11/16	5/8	0.90	0.87
6AFE4	3/8"	1/4"	1.22	0.59	0.76	0.66	0.28	11/16	11/16	0.93	0.87
6AFE6	3/8"	3/8"	1.30	0.59	0.76	0.66	0.28	13/16	11/16	1.01	0.87
6AFE8	3/8"	1/2"	1.41	0.78	0.76	0.66	0.28	1	11/16	1.12	1.11
8AFE4	1/2"	1/4"	1.41	0.59	0.86	0.90	0.41	13/16	7/8	1.01	0.87
8AFE6	1/2"	3/8"	1.41	0.59	0.86	0.90	0.41	13/16	7/8	1.01	0.87
8AFE8	1/2"	1/2"	1.52	0.78	0.86	0.90	0.41	1	7/8	1.12	1.11
10AFE8	5/8"	1/2"	1.52	0.78	0.86	0.96	0.50	1-1/16	1	1.16	1.11
12AFE8	3/4"	1/2"	1.56	0.78	0.86	0.96	0.62	1-1/16	1-1/8	1.16	1.11
12AFE12	3/4"	3/4"	1.75	0.81	0.86	0.96	0.62	1-3/8	1-1/8	1.35	1.24
14AFE12	7/8"	3/4"	1.75	0.81	0.86	1.02	0.72	1-3/8	1-1/4	1.35	1.24
16AFE12	1"	3/4"	1.92	0.81	1.04	1.23	0.88	1-3/8	1-1/2	1.44	1.24
16AFE16	1"	1"	2.10	1.00	1.04	1.23	0.88	1-11/16	1-1/2	1.62	1.49

METRIC SIZE TUBING

AURA PART NO.	'T' TUBE OD	'P' NPT	A ~	B	C	D ~	E	Fx A/F	G A/F	Hx	Hy
6m AFE2	6	1/8"	26.8	10.4	17.7	15.3	4.8	1/2	14	19.4	18.8
6m AFE4	6	1/4"	29.6	15.0	17.7	15.3	4.8	11/16	14	22.2	22.2
8m AFE4	8	1/4"	30.4	15.0	18.6	16.2	6.4	11/16	16	22.9	22.2
10m AFE4	10	1/4"	31.3	10.4	19.5	17.2	7.9	11/16	19	23.7	18.5
12m AFE4	12	1/4"	35.8	15.0	22.0	22.8	9.5	13/16	22	25.5	22.2
12m AFE8	12	1/2"	38.6	19.8	22.0	22.8	9.5	1	22	28.5	28.2
16m AFE8	16	1/2"	39.3	19.8	22.0	24.4	12.7	1-1/16	25	29.5	28.2



• INCH SIZE TUBING

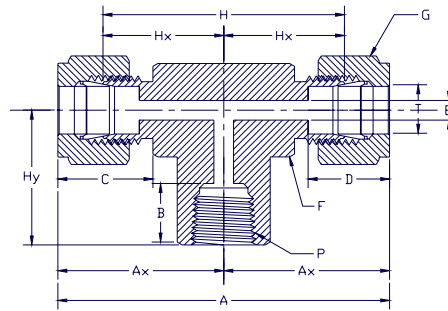
AURA PART NO.	'T' TUBE OD	'P' NPT	A	Ax	B	C	D	E	Fx	G	H	Hx	Hy
			~						A/F	A/F			
2AFRT2	1/8"	1/8"	1.71	0.96	0.41	0.60	0.50	0.09	1/2	7/16	1.44	0.70	0.74
4AFRT2	1/4"	1/8"	1.81	1.05	0.41	0.70	0.60	0.19	1/2	9/16	1.50	0.76	0.74
4AFRT4	1/4"	1/4"	2.05	1.16	0.59	0.70	0.60	0.19	11/16	9/16	1.79	0.87	0.87
6AFRT4	3/8"	1/4"	2.10	1.22	0.59	0.76	0.66	0.28	11/16	11/16	1.79	0.93	0.87
8AFRT6	1/2"	3/8"	2.29	1.41	0.59	0.86	0.90	0.41	13/16	7/8	1.88	1.01	0.87
8AFRT8	1/2"	1/2"	2.68	1.56	0.78	0.86	0.90	0.41	1-1/16	7/8	2.27	1.16	1.12
12AFRT12	3/4"	3/4"	3.00	1.75	0.81	0.86	0.96	0.62	1-3/8	1-1/8	2.59	1.35	1.24
16AFRT12	1"	3/4"	3.17	1.92	0.81	1.04	1.23	0.88	1-3/8	1-1/2	2.68	1.44	1.24
16AFRT16	1"	1"	3.60	2.10	1.00	1.04	1.23	0.88	1-11/16	1-1/2	3.11	1.62	1.49

METRIC SIZE TUBING

AURA PART NO.	'T' TUBE OD	'P' NPT	A	Ax	B	C	D	E	Fx	G	H	Hx	Hy
			~						A/F	A/F			
6m AFRT2	6	1/8"	45.6	26.8	10.4	17.7	15.3	4.8	1/2	14	38.2	19.4	18.8
6m AFRT4	6	1/4"	51.8	29.6	15.0	17.7	15.3	4.8	11/16	14	44.4	22.2	22.2
8m AFRT2	8	1/8"	48.5	29.7	10.4	18.6	16.2	6.4	5/8	16	41.0	22.2	18.8
8m AFRT4	8	1/4"	52.6	30.4	15.0	18.6	16.2	6.4	11/16	16	45.1	22.9	22.2
10m AFRT4	10	1/4"	55.5	33.3	15.0	19.5	17.2	7.9	13/16	19	47.9	25.7	22.2
12m AFRT6	12	3/8"	58.0	35.8	15.0	22.0	22.8	10.3	13/16	22	47.9	25.7	22.2
12m AFRT8	12	1/2"	58.0	35.8	15.0	22.0	22.8	9.5	13/16	22	47.9	25.7	22.2
16m AFRT8	16	1/2"	67.8	39.6	19.8	22.0	24.4	12.7	1-1/16	25	57.7	29.5	28.2

AURA

FEMALE BRANCH TEE



- INCH SIZE TUBING

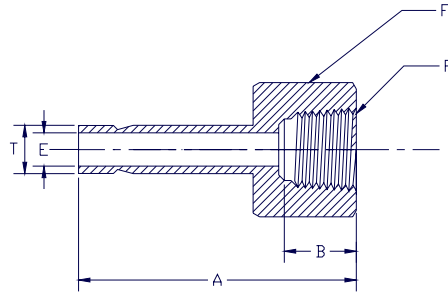
AURA PART NO.	'T' TUBE OD	'P' NPT	A	Ax	B	C	D	E	Fx	G	H	Hx	Hy
			~				~		A _F	A _F			
2AFBT2	1/8"	1/8"	1.92	0.96	0.41	0.60	0.50	0.09	1/2	7/16	1.40	0.70	0.74
4AFBT2	1/4"	1/8"	2.10	1.05	0.41	0.70	0.60	0.19	1/2	9/16	1.52	0.76	0.74
4AFBT4	1/4"	1/4"	2.32	1.16	0.59	0.70	0.60	0.19	11/16	9/16	1.74	0.87	0.87
6AFBT4	3/8"	1/4"	2.44	1.22	0.59	0.76	0.66	0.28	11/16	11/16	1.84	0.93	0.87
6AFBT6	3/8"	3/8"	2.60	1.30	0.59	0.76	0.66	0.28	13/16	11/16	2.02	1.01	0.87
8AFBT6	1/2"	3/8"	2.82	1.41	0.59	0.86	0.90	0.41	13/16	7/8	2.02	1.01	0.87
8AFBT8	1/2"	1/2"	3.04	1.52	0.78	0.86	0.90	0.41	1	7/8	2.24	1.12	1.11
10AFBT8	5/8"	1/2"	3.04	1.52	0.78	0.86	0.96	0.50	1	1	2.24	1.12	1.11
12AFBT12	3/4"	3/4"	3.50	1.75	0.81	0.86	0.96	0.62	1-3/8	1-1/8	2.70	1.35	1.24
16AFBT12	1"	3/4"	3.84	1.92	0.81	1.04	1.23	0.88	1-3/8	1-1/2	2.88	1.44	1.24
16AFBT16	1"	1"	4.20	2.10	1.00	1.04	1.23	0.88	1-11/16	1-1/2	3.24	1.62	1.49

- METRIC SIZE TUBING

AURA PART NO.	'T' TUBE OD	'P' NPT	A	Ax	B	C	D	E	Fx	G	H	Hx	Hy
			~				~		A _F	A _F			
6m AFBT2	6	1/8"	53.6	26.8	10.4	17.7	15.3	4.8	1/2	14	38.8	19.4	18.8
6m AFBT4	6	1/4"	59.2	29.6	15.0	17.7	15.3	4.8	11/16	14	44.4	22.2	22.2
8m AFBT2	8	1/8"	59.4	29.7	10.4	18.6	16.2	6.4	5/8	16	44.4	22.2	18.8
8m AFBT4	8	1/4"	60.8	30.4	15.0	18.6	16.2	6.4	11/16	16	45.8	22.9	22.2
10m AFBT4	10	1/4"	66.6	33.3	15.0	19.5	17.2	7.9	13/16	19	51.4	25.7	22.2
12m AFBT4	12	3/8"	71.6	35.8	15.0	22.0	22.8	9.5	13/16	22	51.4	25.7	22.2
12m AFBT6	12	1/4"	71.6	35.8	15.0	22.0	22.8	9.5	13/16	22	51.4	25.7	22.2
16m AFBT8	16	1/2"	77.2	38.6	19.8	22.0	24.4	12.7	1	25	57.0	28.5	22.2

AURA

FEMALE ADAPTER

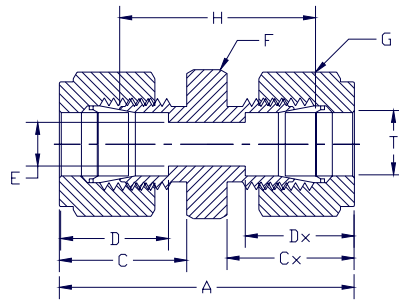


• INCH SIZE TUBING

AURA PART NO.	'T' TUBE OD	'P' NPT FEMALE	A	B	E	F Hex A/F
2AFA2	1/8"	1/8"	1.23	0.41	0.09	9/16
2AFA4	1/8"	1/4"	1.38	0.59	0.09	3/4
4AFA2	1/4"	1/8"	1.29	0.41	0.19	9/16
4AFA4	1/4"	1/4"	1.45	0.59	0.19	3/4
4AFA6	1/4"	3/8"	1.54	0.59	0.19	7/8
4AFA8	1/4"	1/2"	1.78	0.78	0.19	1-1/16
5AFA4	5/16"	1/4"	1.47	0.59	0.25	3/4
6AFA4	3/8"	1/4"	1.49	0.59	0.28	3/4
6AFA6	3/8"	3/8"	1.58	0.59	0.28	7/8
6AFA8	3/8"	1/2"	1.84	0.78	0.28	1-1/16
8AFA6	1/2"	3/8"	1.78	0.59	0.39	7/8
8AFA8	1/2"	1/2"	2.03	0.78	0.39	1-1/16
10AFA8	5/8"	1/2"	2.08	0.78	0.50	1-1/16
12AFA12	3/4"	3/4"	2.15	0.81	0.59	1-5/16
12AFA16	3/4"	1"	2.29	1.00	0.59	1-5/8

METRIC SIZE TUBING

AURA PART NO.	'T' TUBE OD	'P' NPT FEMALE	A	B	E	F Hex A/F
6m AFA2	6	1/8"	32.4	9.9	4.6	14
6m AFA4	6	1/4"	37.1	15.0	4.6	19
8m AFA4	8	1/4"	37.5	15.0	6.4	19
10m AFA4	10	1/4"	38.0	15.0	7.7	19
10m AFA6	10	3/8"	40.1	15.0	7.7	22
10m AFA8	10	1/2"	46.5	19.8	7.7	27

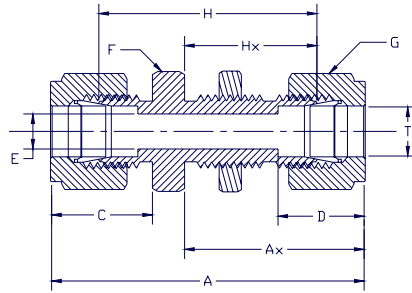


• INCH SIZE TUBING

AURA PART NO.	'T' TUBE OD	A	C	D	E	F	G	H
		~	~	~	~	$\frac{A}{F}$		
2ASU	1/8"	1.39	0.60	0.50	0.09	7/16	7/16	0.87
4ASU	1/4"	1.60	0.70	0.60	0.19	1/2	9/16	1.02
5ASU	5/16"	1.68	0.73	0.64	0.25	9/16	5/8	1.10
6ASU	3/8"	1.75	0.76	0.66	0.28	5/8	11/16	1.18
8ASU	1/2"	2.01	0.86	0.90	0.41	13/16	7/8	1.21
10ASU	5/8"	2.04	0.86	0.96	0.50	15/16	1	1.24
12ASU	3/4"	2.10	0.86	0.96	0.62	1-1/16	1-1/8	1.30
14ASU	7/8"	2.16	0.86	1.02	0.72	1-3/16	1-1/4	1.36
16ASU	1"	2.54	1.04	1.23	0.88	1-3/8	1-1/2	1.58

• METRIC SIZE TUBING

AURA PART NO.	'T' TUBE OD	A	C	D	E	F	G	H
		~	~	~	~	$\frac{A}{F}$		
3m ASU	3	35.1	15.3	12.9	1.7	12	12	22.2
6m ASU	6	38.8	17.7	15.3	4.8	14	14	26.0
8m ASU	8	43.0	18.6	16.2	6.4	15	16	28.0
10m ASU	10	46.0	19.5	17.2	7.9	18	19	30.8
12m ASU	12	51.0	22.0	22.8	9.5	22	22	90.8
16m ASU	16	51.8	22.0	24.4	12.7	24	25	31.6
20m ASU	20	54.8	22.0	26.0	15.9	30	32	34.6
25m ASU	25	64.8	26.5	31.3	21.8	35	38	49.2

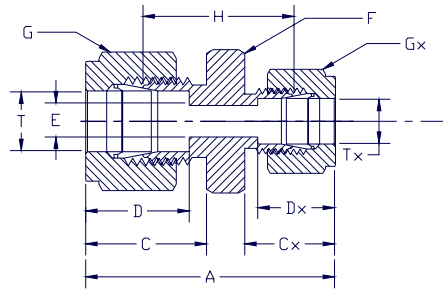


• INCH SIZE TUBING

AURA PART NO.	'T' TUBE OD	A	Ax	C	D	E	F	G	H	Hx	PANEL HOLE DRILL SIZE	MAX. PANEL THICKNESS
		~		~	~	~	A _{/F}	A _{/F}				
2ABHU	1/8"	2.01	1.22	0.60	0.50	0.09	1/2	7/16	1.49	0.96	21/64	0.50
4ABHU	1/4"	2.26	1.31	0.70	0.60	0.19	5/8	9/16	1.68	1.02	29/64	0.40
5ABHU	5/16"	2.38	1.40	0.73	0.64	0.25	11/16	5/8	1.80	1.11	33/64	0.44
6ABHU	3/8"	2.44	1.44	0.76	0.66	0.28	3/4	11/16	1.86	1.15	37/64	0.44
8ABHU	1/2"	2.79	1.64	0.86	0.90	0.41	15/16	7/8	1.99	1.24	49/64	0.50
10ABHU	5/8"	2.85	1.67	0.86	0.96	0.50	1-1/16	1	2.05	1.27	57/64	0.50
12ABHU	3/4"	3.10	1.86	0.86	0.96	0.63	1-3/16	1-1/8	2.30	1.46	1-1/64	0.66
16ABHU	1"	3.76	2.25	1.04	1.23	0.88	1-5/8	1-1/2	2.80	1.77	1-21/64	0.75

• METRIC SIZE TUBING

AURA PART NO.	'T' TUBE OD	A	Ax	C	D	E	F	G	H	Hx	PANEL HOLE DRILL SIZE	MAX. PANEL THICKNESS
		~		~	~	~	A _{/F}	A _{/F}				
+3m ABHU	3	51.1	31.0	15.3	12.9	2.4	14	12	37.9	24.4	8.3	12.7
6m ABHU	6	53.4	31.8	16.1	13.7	2.4	14	12	40.2	25.2	9.9	12.7
8m ABHU	8	60.8	35.9	18.6	16.2	6.4	18	16	45.8	28.4	13.1	11.2
10m ABHU	10	63.5	36.8	19.5	17.2	7.9	22	19	48.3	29.2	16.3	11.2
12m ABHU	12	70.8	41.7	22.0	22.8	9.5	24	22	50.6	31.6	19.5	12.7
16m ABHU	16	72.3	42.4	22.0	24.4	12.7	27	25	52.1	32.3	22.8	12.7
20m ABHU	20	84.3	52.8	22.0	26.0	15.9	35	32	64.1	42.7	29.0	23.9

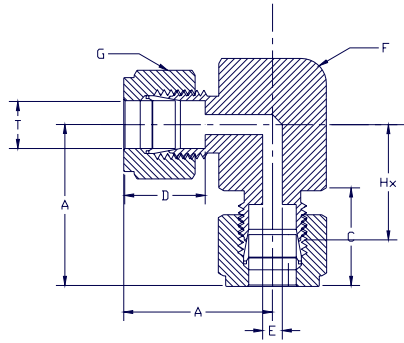


• INCH SIZE TUBING

AURA PART NO.	'T' TUBE OD	Tx TUBE OD	A	C	Cx	D	Dx	E	F	G	Gx	H
			~	~	~	~	~		A/F	A/F	A/F	
4ARU2	1/4"	1/8"	1.51	0.70	0.60	0.60	0.50	0.09	1/2	9/16	7/16	0.96
5ARU4	5/16"	1/4"	1.65	0.73	0.70	0.64	0.60	0.19	9/16	5/8	9/16	1.07
6ARU4	3/8"	1/4"	1.69	0.76	0.70	0.66	0.60	0.19	5/8	11/16	9/16	1.11
8ARU4	1/2"	1/4"	1.84	0.86	0.70	0.90	0.60	0.19	13/16	7/8	9/16	1.15
8ARU6	1/2"	3/8"	1.90	0.86	0.76	0.90	0.66	0.28	13/16	7/8	11/16	1.21
10ARU6	5/8"	3/8"	1.93	0.86	0.76	0.96	0.66	0.28	15/16	1	11/16	1.24
10ARU8	5/8"	1/2"	2.04	0.86	0.86	0.96	0.90	0.41	15/16	1	7/8	1.24
12ARU6	3/4"	3/8"	1.99	0.86	0.76	0.96	0.66	0.28	1-1/16	1-1/8	11/16	1.30
12ARU8	3/4"	1/2"	2.10	0.86	0.86	0.96	0.90	0.41	1-1/16	1-1/8	7/8	1.30
12ARU10	3/4"	5/8"	2.10	0.86	0.86	0.96	0.96	0.50	1-1/16	1-1/8	1	1.30
16ARU12	1"	3/4"	2.10	1.04	0.86	1.23	0.96	0.62	1-3/8	1-1/2	1-1/8	1.58

• METRIC SIZE TUBING

AURA PART NO.	'T' TUB OD	Tx TUBE OD	A	C	Cx	D	Dx	E	F	G	Gx	H
			~	~	~	~	~		A/F	A/F	A/F	
6m ARU3	6	3	38.4	17.7	15.3	15.3	12.9	2.4	14	14	12	24.4
8m ARU6	8	6	42.4	18.6	17.7	16.2	15.3	4.8	15	16	14	27.2
10m ARU6	10	6	44.3	19.5	17.7	17.2	15.3	4.8	18	19	14	29.3
10m ARU8	10	8	44.9	19.5	18.6	17.2	16.2	6.4	18	19	16	29.8
12m ARU6	12	6	46.8	22.0	17.7	22.8	15.3	4.8	22	22	14	29.3
12m ARU8	12	8	47.6	22.0	18.0	22.8	16.2	6.4	22	22	16	30.0
12m ARU10	12	10	48.5	22.0	19.5	22.8	17.2	7.9	22	22	19	30.8
16m ARU10	16	10	49.3	22.0	19.5	24.4	17.2	7.9	24	25	19	31.6
16m ARU12	16	12	51.8	22.0	22.0	24.4	22.8	9.5	24	25	22	31.6

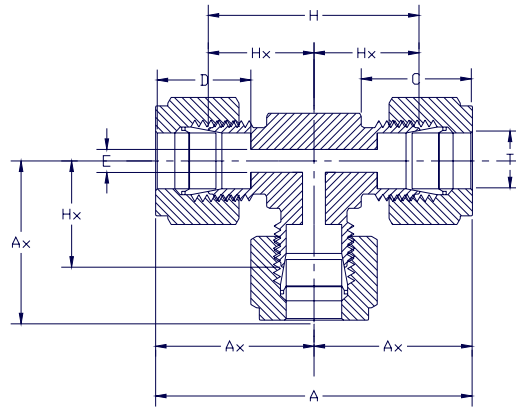


• INCH SIZE TUBING

AURA PART NO.	'T' TUBE OD	A	C	D	E Minimum Opening	F Wrench Pad	G A/F	Hx
2AUE	1/8"	0.87	0.43	0.34	0.05	3/8	5/16	0.61
4AUE	1/4"	1.05	0.70	0.60	0.19	1/2	9/16	0.76
5AUE	5/16"	1.12	0.73	0.64	0.25	9/16	5/8	0.83
6AUE	3/8"	1.19	0.76	0.66	0.28	5/8	11/16	0.90
8AUE	1/2"	1.41	0.86	0.90	0.41	13/10	7/8	1.01
10AUE	5/8"	1.49	0.86	0.96	0.50	15/16	1	1.09
12AUE	3/4"	1.56	0.86	0.96	0.62	1-1/16	1-1/8	1.16
14AUE	7/8"	1.75	0.86	1.02	0.72	1-3/8	1-1/4	1.35
16AUE	1"	1.92	1.04	1.23	0.88	1-3/8	1-1/2	1.44

• METRIC SIZE TUBING

AURA PART NO.	'T' TUBE OD	A	C	D	E Minimum Opening	F Wrench Pad	G A/F	Hx
3m AUE	3	22.1	15.3	12.9	2.4	3/8"	12	15.5
6m AUE	6	26.8	17.7	15.3	4.8	1/2"	14	19.4
8m AUE	8	28.6	18.8	16.2	6.4	9/16"	16	21.1
10m AUE	10	31.3	19.5	17.2	7.9	11/16"	19	23.7
12m AUE	12	35.8	22.0	22.8	9.5	13/16"	22	25.7
16m AUE	16	37.8	22.0	24.4	12.7	15/16"	25	27.7
20m AUE	20	39.6	22.0	24.4	15.1	1-1/16"	30	29.5
25m AUE	25	48.9	26.5	31.3	21.8	1-3/8"	38	36.6

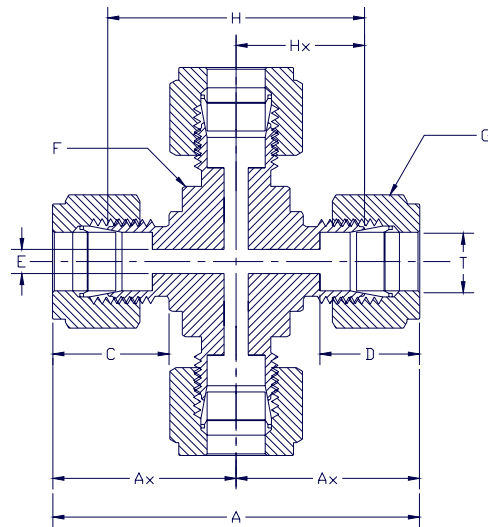


• INCH SIZE TUBING

AURA PART NO.	'T' TUBE OD	A	Ax	C	D	E Minimum Opening	F Wrench Pad	G Hex A/F	H	Hx
2AUT	1/8"	1.76	~	0.60	0.50	0.09	3/8	7/16	0.87	1.22
4AUT	1/4"	2.12	~	0.70	0.60	0.19	1/2	9/16	1.05	1.52
5AUT	5/16"	2.34	~	0.73	0.64	0.25	5/8	5/8	1.16	1.74
6AUT	3/8"	2.40	~	0.76	0.66	0.28	5/8	11/16	1.19	1.80
8AUT	1/2"	2.84	~	0.86	0.96	0.41	13/16	7/8	1.41	2.02
10AUT	5/8"	3.06	~	0.86	0.96	0.50	1	1	1.52	2.24
12AUT	3/4"	3.14	~	0.86	0.96	0.62	1-1/16	1-1/8	1.56	2.32
14AUT	7/8"	3.52	~	0.86	1.02	0.72	1-3/8	1-1/4	1.75	2.70
16AUT	1"	3.86	~	1.04	1.23	0.88	1-3/8	1-1/2	1.92	2.88

• METRIC SIZE TUBING

AURA PART NO.	'T' TUBE OD	A	Ax	C	D	E Minimum Opening	F Wrench Pad	G Hex A/F	H	Hx
3m AUT	3	44.2	22.1	15.3	12.9	2.4	3/8"	12	31.0	15.5
6m AUT	6	53.6	26.8	17.7	15.3	4.8	1/2"	14	38.8	19.4
8m AUT	8	59.4	29.7	18.6	16.2	6.4	5/8"	16	44.4	22.2
10m AUT	10	62.6	31.3	19.5	17.2	7.9	11/16"	19	47.4	23.7
12m AUT	12	71.6	35.8	22.0	22.8	9.5	13/16	22	51.4	25.7
16m AUT	16	77.2	38.6	22.0	24.4	12.7	1"	25	57.0	28.7
20m AUT	20	88.8	44.4	22.0	26.0	15.9	1-3/8"	32	68.6	34.3
25m AUT	25	97.8	48.9	26.5	31.3	21.8	1-3/8"	38	73.2	36.6

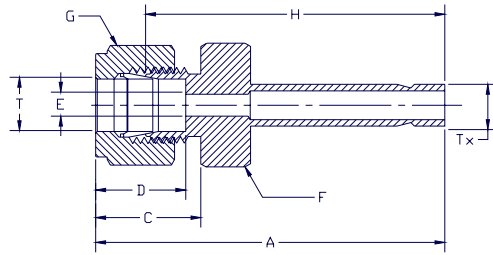


• INCH SIZE TUBING

AURA PART NO.	'T' TUBE OD	A	Ax	C	D	E	F	G	H	Hx
		~	~		A/F	A/F				
2AUCR	1/8"	1.74	0.87	0.60	0.50	0.09	3/8	7/16	1.22	0.61
4AUCR	1/4"	2.10	1.05	0.70	0.60	0.19	1/2	9/16	1.52	0.76
5AUCR	5/16"	2.32	1.16	0.73	0.64	0.25	5/8	5/8	1.74	0.87
6AUCR	3/8"	2.38	1.19	0.76	0.66	0.28	5/8	11/16	1.80	0.90
8AUCR	1/2"	2.82	1.41	0.86	0.90	0.41	13/16	7/8	2.02	1.01
16AUCR	1"	3.84	1.92	1.04	1.23	0.88	1-3/8	1-1/2	2.88	1.44

• METRIC SIZE TUBING

AURA PART NO.	'T' TUI OD	A	Ax	C	D	E	F	G	H	Hx
		~	~		A/F	A/F				
3m AUCR	3	44.2	22.1	15.3	12.9	2.4	3/8	12	31.0	15.5
6m AUCR	6	53.6	26.8	17.7	15.3	4.8	1/2	14	38.8	19.4
8m AUCR	8	59.4	29.7	18.6	16.2	6.4	5/8	16	44.4	22.2
10m AUCR	10	66.6	33.3	19.5	17.2	7.9	13/16	19	51.4	25.7
12m AUCR	12	71.6	35.8	22.0	22.8	9.5	13/16	22	51.4	25.7
16m AUCR	16	73.6	36.8	22.0	24.4	12.7	15/16	25	53.4	26.7
20m AUCR	20	88.8	44.4	22.0	26.0	15.9	1-3/8	32	68.6	34.3
25m AUCR	25	97.8	48.9	26.5	31.3	21.8	1-3/8	38	73.2	36.6

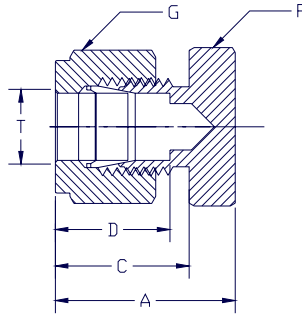


• INCH SIZE TUBING

AURA PART NO.	'T' TUBE OD	'P' TUBE DIA OD	A ~	C ~	D	E	F A/F	G A/F	H
2AR2	1/8"	1/8"	1.31	0.60	0.50	0.08	7/16	7/16	1.05
2AR4	1/8"	1/4"	1.41	0.60	0.50	0.09	7/16	7/16	1.15
4AR4	1/4"	1/4"	1.53	0.70	0.60	0.19	1/2	9/16	1.24
4AR5	1/4"	5/16"	1.56	0.70	0.60	0.19	1/2	9/16	1.27
4AR6	1/4"	3/8"	1.59	0.70	0.60	0.19	1/2	9/16	1.30
4AR8	1/4"	1/2"	1.81	0.70	0.60	0.19	9/16	9/16	1.52
5AR6	5/16"	3/8"	1.64	0.73	0.64	0.25	9/16	5/8	1.35
5AR8	5/16"	1/2"	1.86	0.73	0.64	0.25	9/16	5/8	1.57
6AR4	3/8"	1/4"	1.62	0.76	0.66	0.19	5/8	11/16	1.33
6AR8	3/8"	1/2"	1.90	0.76	0.66	0.28	5/8	11/16	1.61
6AR12	3/8"	3/4"	1.97	0.76	0.66	0.28	13/16	11/16	1.68
8AR6	1/2"	3/8"	1.83	0.86	0.90	0.28	13/16	7/8	1.48
8AR10	1/2"	5/8"	2.11	0.86	0.90	0.41	13/16	7/8	1.71
8AR12	1/2"	3/4"	2.11	0.86	0.90	0.41	13/16	7/8	1.71
8AR16	1/2"	1"	2.36	0.86	0.90	0.41	1-1/16	7/8	1.96
10AR12	5/8"	3/4"	2.14	0.86	0.96	0.50	15/16	1	1.74
10AR14	5/8"	7/8"	2.20	0.86	0.96	0.50	15/16	1	1.80
10AR16	5/8"	1"	2.39	0.86	0.96	0.50	1-1/16	1	1.99

• METRIC SIZE TUBING

AURA PART NO.	'T' TUBE OD	'P' TUBE DIA OD	A ~	C ~	D	E	F A/F	G A/F	H
3m AR6	3	6	35.9	15.3	12.9	2.4	12	12	29.3
6m AR8	6	8	39.7	17.7	15.3	4.8	14	14	32.3
6m AR10	6	10	40.5	17.7	15.3	4.8	14	14	33.1
6m AR12	6	12	46.1	17.7	15.3	4.8	14	14	38.7
8m AR10	8	10	40.0	18.6	16.2	6.4	15	16	34.3
8m AR12	8	12	47.4	18.6	16.2	6.4	15	16	39.9
10m AR6	10	6	42.2	19.5	17.2	4.6	18	19	34.6
10m AR12	10	12	49.6	19.5	17.2	7.9	18	19	42.0
12m AR10	12	10	46.5	22.0	22.8	7.7	22	22	36.4
12m AR16	12	16	53.6	22.0	22.8	9.5	22	22	43.5
12m AR25	12	25	62.2	22.0	22.8	9.5	27	22	52.1

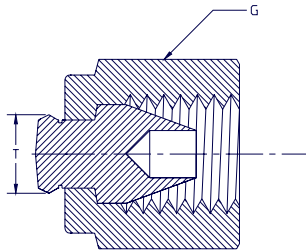


- INCH SIZE TUBING

AURA PART NO.	'T' TUBE OD	A	C	D	F	G	H
		~	~	~	$\frac{A}{F}$	$\frac{A}{F}$	
2ATEC	1/8"	0.78	0.60	0.50	7/16	7/16	0.52
4ATEC	1/4"	0.92	0.70	0.60	1/2	9/16	0.62
5ATEC	5/16"	0.96	0.73	0.64	9/16	5/8	0.65
6ATEC	3/8"	1.00	0.76	0.66	5/8	11/16	0.71
8ATEC	1/2"	1.14	0.86	0.90	13/16	7/8	0.74
10ATEC	5/8"	1.17	0.86	0.96	15/16	1	0.77
12ATEC	3/4"	1.23	0.86	0.96	1-1/16	1-1/8	0.83
14ATEC	7/8"	1.33	0.86	1.02	1-3/16	1-1/4	0.93
16ATEC	1"	1.80	1.04	1.23	1-3/8	1-1/2	1.02

- METRIC SIZE TUBING

AURA PART NO.	'T' TUBE OD	A	C	D	F	G	H
		~	~	~	$\frac{A}{F}$	$\frac{A}{F}$	
3m ATEC	3	19.9	15.3	12.9	12	12	13.3
6m ATEC	6	22.9	17.7	15.3	14	14	15.5
8m ATEC	8	24.3	18.6	16.2	16.2	15	16.8
10m ATEC	10	26.4	19.5	17.2	18	19	18.8
12m ATEC	12	28.9	22.0	22.8	22	22	18.8
16m ATEC	16	29.7	22.0	24.4	24	24	19.6
20m ATEC	20	33.8	22.0	26.0	30	32	23.7
25m ATEC	25	38.4	26.5	31.3	35	38	26.0

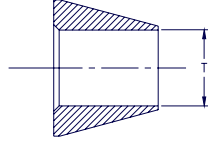


INCH SIZE TUBING

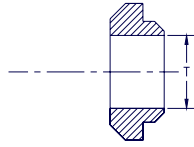
AURA PART NO.	'T' TUBE OD	G ^A / _F
2AFEC	1/8"	7/16
4AFEC	1/4"	9/16
5AFEC	5/16"	5/8
6AFEC	3/8"	11/16
8AFEC	1/2"	7/8
10AFEC	5/8"	1
12AFEC	3/4"	1-1/8
14AFEC	7/8"	1-1/4
16AFEC	1"	1-1/2

- METRIC SIZE TUBING

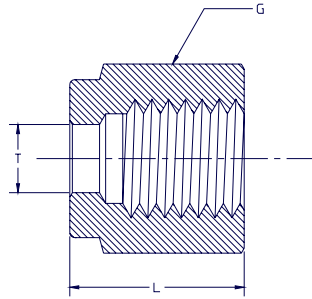
AURA PART NO.	'T' TUBE OD	G ^A / _F
3mAFEC	3	12
6mAFEC	6	14
8mAFEC	8	16
10mAFEC	10	19
12mAFEC	12	22
16mAFEC	16	25
20mAFEC	20	32
25mAFEC	25	38

**INCH SIZE TUBING****METRIC SIZE TUBING**

AURA PART NO.	'T' TUBE OD	AURA PART NO.	'T' TUBE OD
2AFF	1/8"	3m AFF	3
4AFF	1/4"	6m AFF	6
5AFF	5/16"	8m AFF	8
6AFF	3/8"	10m AFF	10
8AFF	1/2"	12m AFF	12
10AFF	5/8"	16m AFF	16
12AFF	3/4"	20m AFF	20
14AFF	7/8"	25m AFF	25
16AFF	1"		

**INCH SIZE TUBING****METRIC SIZE TUBING**

AURA PART NO.	'T' TUBE OD	AURA PART NO.	'T' TUBE OD
2ABF	1/8"	3m ABF	3
4ABF	1/4"	6m ABF	6
5ABF	5/16"	8m ABF	8
6ABF	3/8"	10m ABF	10
8ABF	1/2"	12m ABF	12
10ABF	5/8"	16m ABF	16
12ABF	3/4"	20m ABF	20
14ABF	7/8"	25m ABF	25
16ABF	1"		



INCH SIZE TUBING

METRIC SIZE TUBING

AURA PART NO.	'T' TUBE OD	G	L	AURA PART NO.	'T' TUBE OD	G	L
2AHN	1/8"	7/16	0.47	3m AHN	3	12	11.9
4AHN	1/4"	9/16	0.50	6m AHN	6	14	12.7
5AHN	5/16"	5/8	0.53	8m AHN	8	16	13.5
6AHN	3/8"	11/16	0.56	10m AHN	10	19	15.1
8AHN	1/2"	7/8	0.69	12m AHN	12	22	17.4
10AHN	5/8"	1	0.69	16m AHN	16	25	17.4
12AHN	3/4"	1-1/8	0.69	20m AHN	20	32	17.4
14AHN	7/8"	1-1/4	0.69	25m AHN	25	38	20.6
16AHF	1"	1-1/2	0.81				