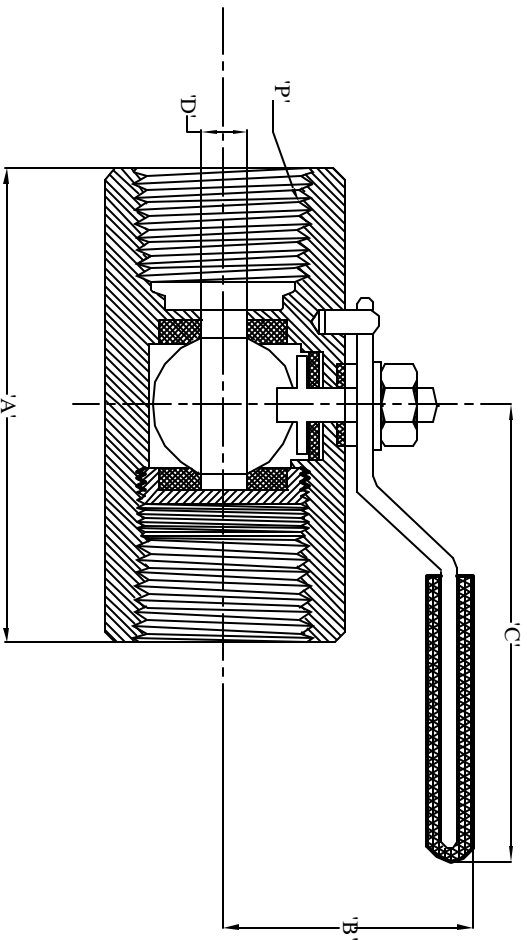


DESCRIPTION	:	Medium pressure rating single piece body, reduced port ball valve.
CONNECTIONS	:	Threaded NPT conforming to ASME B1.20.1
BODY	:	Machined from 316L Bar Stock
BALL	:	Machined to close tolerances from 316 L material
RETAINER	:	316 SS
BALL SEAT	:	PTFE
BODY SEAL	:	PTFE
STEM	:	316 SS
HANDLE	:	304 SS With PVC sleeve
PRESSURE RATING	:	800 PSI
TEMPERATURE LIMIT	:	250 deg F
SIZES	:	1/4", 3/8", 1/2"
TEST PRESSURES	:	Body : 1,500 Psi Seat and gland : 800psi
OPTIONS	:	Material of construction conforming to NACE MR-01-75 Brass body BSP Threads
AURA DRAWING REF.	:	ABV-1P-STD-001

REV.	REASON FOR ISSUE	DATE	DRN.	CHKD.
0.00	REL FOR MANU.	12.9.05	D.K.D	G.G.A



PART NO. BUILD UP

ABV: AURA BALL VALVE

IP: SINGLE PIECE

XX: SIZE,04=1/4, 06=3/8,08=1/2"

XXX: MATERIAL, 316 L, BRASS

TD: THREADED ENDS, NPT(F)

SIZE 'p'	'A'	'B'	'C'	'D'
1/4"	1.56	1.40	2.38	0.20
3/8"	1.76	1.48	2.80	0.28
1/2"	2.26	1.74	3.60	0.36

NOTE: ALL DIMENSIONS ARE SUBJECT TO CHANGE WITHOUT ANY PRIOR NOTICE. TO BE USED FOR REFERENCE ONLY.

ALL DIMENSIONS ARE IN INCHES.

PROJECT/CLIENT

TITLE

**SINGLE PIECE REDUCED PORT
BALL VALVE**

Aura Inc.

**D11/3,OKHALA IND. AREA,
PHASE II, NEW DELHI**

INDIA.

www.aurainc.com

This drawing is the property of Aura Inc.
Unauthorized reproduction is prohibited.

DRG NO : ABV - 1P - STD - 001